

Montacargas Caterpillar Gc70k 15500Lb

Descripción

Modelo

GC70K

Capacidad Básica (kg)

7,000

Altura Máx. de Horquillas (mm)²

4,760

Voltaje (Tipo de Combust.)

LP / Gas

Long. a Punta de Horquilla (mm)

2,950

Ancho del Chasis (mm)

1,440

Altura del Chasis (mm)¹

2,255

Peso Bruto (kg)¹

9,480



COTIZA DESDE TÚ MÓVIL EN:
www.lugon.com.mx

Montacargas Caterpillar Gc70k 15500Lb

Characteristics

GC70K

1	Capacity at rated load center	lb	kg	15,500	7000
2	Capacity at load center - distance	in	mm	24	600
3	Power - LP gas	LP gas			
4	Tire type - cushion, pneumatic	cushion			
5	Wheels - (x=driven) number front / rear	2x / 2			

Dimensions

GC70K

7	Maximum fork height (top of forks)*	in	mm	93.0	2,370
8	Free fork height*	in	mm	6.5	165
9	Forks - thickness x length x width	in 2.6 x 48.0 x 5.9 mm 65 x 1,220 x 150			
	Fork spacing - out-to-out minimum / maximum	in	mm	16.3 / 478	414 / 1,214
10	Tilt - forward / backward	degrees 6 / 9			
11	Length to fork face	in	mm	116	2,950
12	Width with standard tires	in	mm	-	-
13	Width with standard tires, wide-stance	in	mm	56.7	1,440
14	Height with lowered mast	in	mm	84.5	2,150
15	Seat height	in	mm	50.6	1,285
16	Height to top of overhead guard	in	mm	88.8	2,255
17	Height with extended mast	in	mm	141.5	3,590
18	Minimum outside turning radius	in	mm	101	2,570
19	Load moment constant	in	mm	20.9	530
19	Minimum aisle - 90° stack - 0 clearance w/o load	in	mm	122	3,100

Performance

GC70K

20	Travel speed loaded / empty	mph	km/h	12.7 / 14.3	20.5 / 23.0
21	Lift speed loaded / empty	fpm	m/s	70.9 / 76.8	0.36 / 0.39
22	Lowering speed loaded / empty	fpm	m/s	106 / 76.8	0.54 / 0.39
23	Drawbar pull - loaded at 1 mph (1.6 kph)	lb	N	6,670	29,665
	Drawbar pull - loaded maximum	lb	N	8,210	36,530
24	Gradeability - loaded at 1 mph (1.6 kph)	%		21.5	
	Gradeability - maximum loaded / empty	%		27.0	

Weight

GC70K

25	Empty	lb	kg	20,900	9,480
26	Axle load - with rated load front / rear	lb	kg	32,920 / 4,480	14,480 / 2,000
	Axle load - without load front / rear	lb	kg	6,990 / 13,910	3,170 / 6,310

Chassis

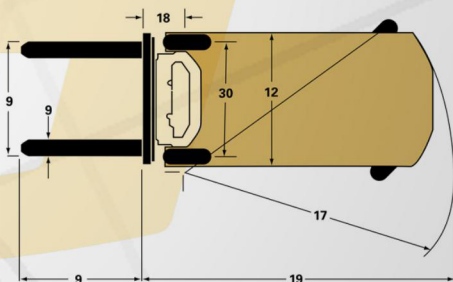
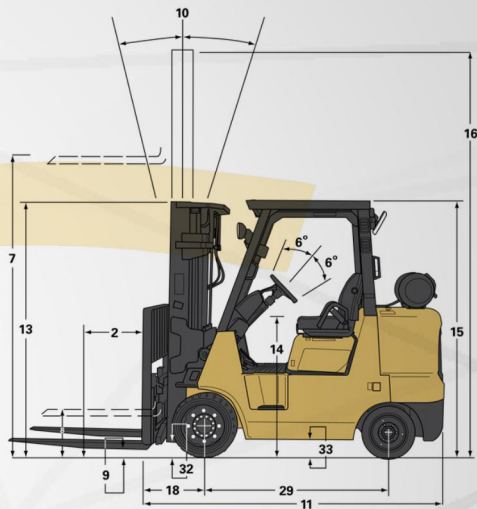
GC70K

27	Tire size - front, standard	in 28 x 12 x 22			
28	Tire size - rear	in 22 x 8 x 16			
29	Wheel base	in	mm	72.0	1,830
30	Tread width - front, standard tires	in	mm	-	-
	Tread width - front, wide-stance tires	in	mm	44.5	1,130
31	Tread width - rear standard tires	in	mm	45.7	1,160
32	Ground clearance - at lowest point of mast**	in	mm	3.9	100
33	Ground clearance - at center of wheel base	in	mm	7.9	200
34	Service brakes	type	hydraulic with vacuum boost		
35	Parking brakes	type	hand, mechanical		

Powertrain

GC70K

36	Engine manufacturer and model	PSI 4X			
37	Continuous output (S.A.E. gross)	HP	kW	104.6	78.0
		at rpm		2,600	
38	Maximum torque (S.A.E. gross)	lb-ft	N-m	210	285
		at rpm		1,000	
39	Cylinder / displacement	cu in	L	6 / 262	6 / 4.3
40	Transmission type	powershift			
41	Number of speeds forward / reverse	2 / 2			
42	Battery	volts		12	
43	Relief pressure for attachments - 3-way valve	psi	bar	2,900	200
	Relief pressure for attachments - 4-way valve	psi	bar	2,350	162
44	Noise level mean value at operator's ear	dB(A)		83.5	



COTIZA DESDE TÚ MÓVIL EN:
www.lugon.com.mx